



LARGE-CAPACITY DRYING

8.0 Cu. Ft. Front Load Dryer

MLE45N1AWW Electric, White

MLG45N1AWW Gas, White

Large capacity in a standard width. Our versatile, 8.0 Cu. Ft. Dryer has 10 cycles, 5 temperature settings and a convenient auto-dry feature. The reversible door can be adjusted to open from the left or right for maximum placement versatility.

Large, 8.0 Cu. Ft. Capacity

Large capacity in a standard 27" width. Dry multiple large items including comforters, towels and linens.

Electronic Controls

Sleek, modern electronic controls make cycle selection a breeze.

Sensor Dry

A sensor detects when your clothes are dry and automatically stops the dryer saving energy.

10 Total Cycles

6 Sensor Cycles: Normal, Bulky, Heavy Duty, Sanitize, Delicates, Towels

4 Manual Cycles: Quick Dry, Time Dry, Air Fluff, Towel Warmer

8.0 Cu. Ft. Front Load Dryer

Models MLE45N1AWW, MLG45N1AWW

SPECIFICATIONS

Models		MLE45N1AWW	MLG45N1AWW
UPC		810004818873	810004818880
Heater Type		Electric	Gas*
Color		White	White
Matching Washer		MLH45N1AWW	MLH45N1AWW
PERFORMANCE			
ENERGY STAR®		-	-
UL Certification		Yes	Yes
ADA Compliant		Yes	Yes
FEATURES			
Capacity (cu. ft.)		8.0	8.0
No. of Cycles	Total	10	10
	Sensor Dry	Normal, Bulky, Heavy Duty, Sanitize, Delicates, Towels	Normal, Bulky, Heavy Duty, Sanitize, Delicates, Towels
	Manual Dry	Quick Dry, Time Dry, Air Fluff, Towel Warmer	Quick Dry, Time Dry, Air Fluff, Towel Warmer
No. of Options		7 (Wrinkle Care, Damp Dry Signal, Time Adjust, Control Lock, Signal, My Cycle, Eco Dry)	7 (Wrinkle Care, Damp Dry Signal, Time Adjust, Control Lock, Signal, My Cycle, Eco Dry)
Sensor Dry		Yes	Yes
Dryness Level Selections		5 (Extra Dry, More Dry, Normal Dry, Less Dry, Damp Dry)	5 (Extra Dry, More Dry, Normal Dry, Less Dry, Damp Dry)
Temperature Selections		5 (High, Medium, Low, Ultra Low, No Heat)	5 (High, Medium, Low, Ultra Low, No Heat)
Time Dry Selections		5 (60 min, 50 min, 40 min, 30 min, 20 min)	5 (60 min, 50 min, 40 min, 30 min, 20 min)
Interior Light(s)		-	-
Lint Filter		Yes	Yes
Lint Filter Indicator Light		Yes	Yes
My Cycle		Yes	Yes
Steam Function		-	-
Reversible Door Hinge		Yes	Yes
3-Way Venting		Yes	Yes
Exhaust Vent		Yes - Rear, Bottom, Left	Yes - Rear, Bottom, Left
End of Cycle Signal		Yes	Yes
Stackable		Yes	Yes
ELECTRICAL			
Voltage (V)		120/240	120
Amperage (A)		24	9.5
Power Cord Included		-	Yes
PHYSICAL ATTRIBUTES			
Included Accessories		Short Inlet Hose, Y-Connector	Short Inlet Hose, Y-Connector
Optional Accessories		Pedestal (MLP1WW), Stacking Kit (MSTK1), Double Layer Drying Rack	Pedestal (MLP1WW), Stacking Kit (MSTK1), Double Layer Drying Rack
Tub/Drum Material		Aluminized Alloy Steel	Aluminized Alloy Steel
Drum Rear Cover		Coating Steel	Coating Steel
Double Layer Drying Rack		-	-
Control Panel		Dial / Touch	Dial / Touch
Control Panel Screen / Color		LED / White	LED / White
Door		Injection White	Injection White
Door Cover		Gray Clear	Gray Clear
Dimensions (WxDxH)	in	27 x 33.6 x 39.8	27 x 33.6 x 39.8
	cm	68.6 x 85.3 x 101	68.6 x 85.3 x 101
Depth with Door Open (in / cm)		55.2 / 140.2	55.2 / 140.2
Weight (lbs / kg)		138.9 / 63	138.9 / 63
Warranty		Parts & Labor, 1 Year	Parts & Labor, 1 Year

*For Liquid Propane gas, additional conversion kit should be purchased.

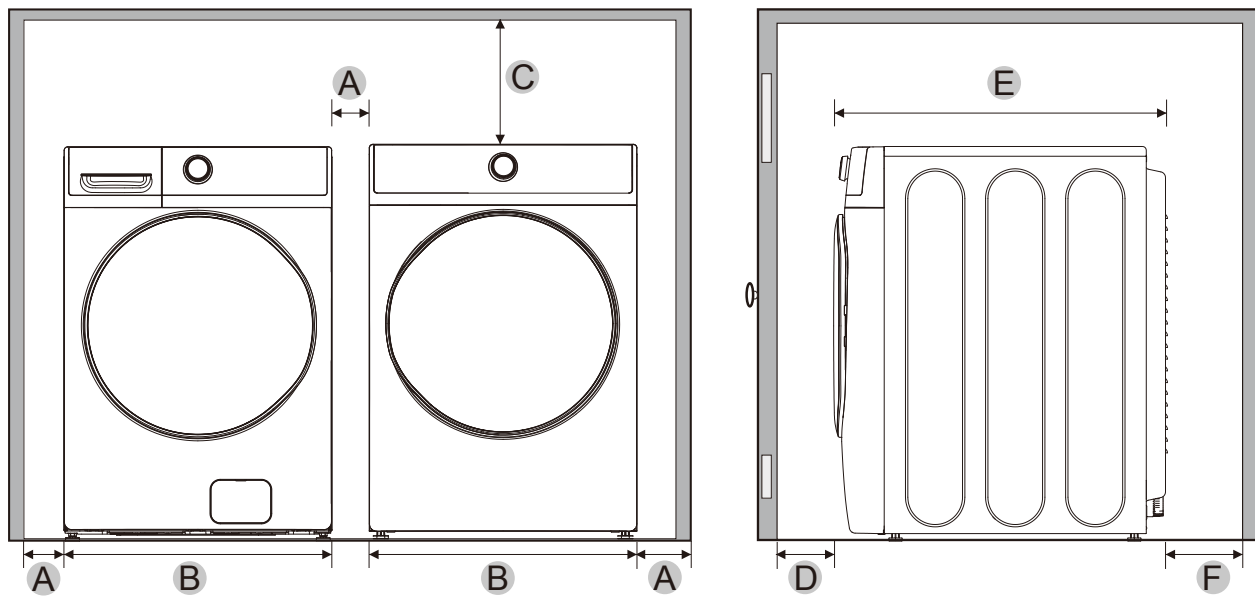
Front Load Washers & Dryers

Models MLH45N1AWW, MLE45N1AWW, MLG45N1AWW,
MLH52S7AGS, MLE52S7AGS, MLG52S7AGS

Alcove or Closet or Wall Insert/Recessed Installations

Minimum clearances between the dryer and adjacent walls or other surfaces:

Sides (in / mm)	1 / 25	Rear (in / mm)	5 / 127
Top (in / mm)	24 / 610	Closet Front (in / mm)	2 / 51



A (in / mm)	1 / 25	C (in / mm)	24 / 610	E (in / mm)	33.7 / 855
B (in / mm)	27 / 686	D (in / mm)	2 / 51	F (in / mm)	5 / 127

WARNING

- The dryer must be exhausted to the outside to reduce risk of fire when installed any place inside the house.
- No other fuel-burning appliance should be installed in the same closet as the dryer.